

Gas Discharge Tube: GF3 Series

SMD L4.5 x W3.2 x H2.7 mm Type



■ Features

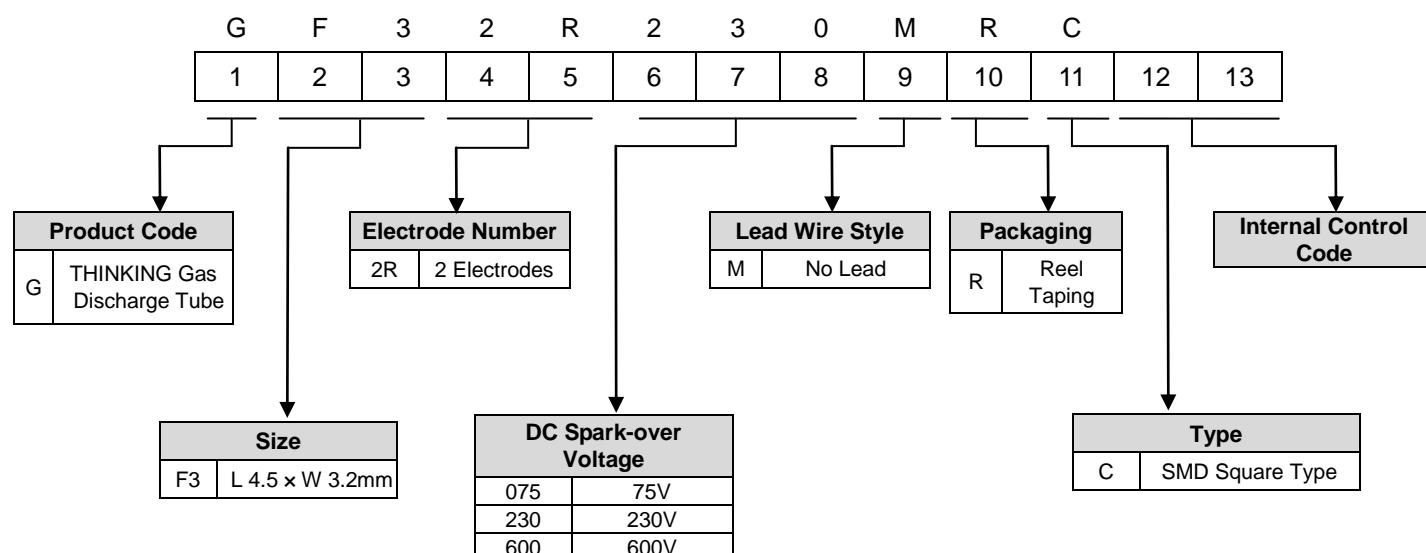
1. RoHS & HF compliant
2. SMD structure
3. DC spark-over voltage: 75~600V
4. Low capacitance
5. Agency recognition: UL
6. Operating temperature: -40°C ~ +105°C
Storage temperature: -40°C ~ +115°C



■ Recommended Applications

1. Cable modem
2. xDSL
3. Set-top box
4. TV sets
5. Ethernet port
6. Consumer electronics

■ Part Number Code



Gas Discharge Tube: GF3 Series

SMD L4.5 x W3.2 x H2.7 mm Type



Characteristics

| Part No. | DC Spark-over Voltage | Max. Impulse Discharge Current | Impulse Withstanding Voltage Capacity | Impulse Life | Minimum Insulation Resistance | Maximum Capacitance | Safety Approvals |
|-------------|-----------------------|---|--|--------------------|-------------------------------|---------------------|------------------|
| | 100V/S | 8/20 μ s | 10/700 μ s | 8/20 μ s, 100A | | | |
| | (V) | (KA) | (KV) | (Times) | | | |
| GF32R075MRC | 75 (55~95) | 3KA (Positive/ Negative 5 Times) | 6KV R=40 Ω (Positive/ Negative 5 Times) | 300 | Min. 1000 (@DC 50V) | 0.5 | √ |
| GF32R090MRC | 90 (63~117) | | | | | | √ |
| GF32R120MRC | 120 (84~156) | | | | | | √ |
| GF32R150MRC | 150 (105~195) | | | | √ | | |
| GF32R200MRC | 200 (140~260) | | | | √ | | |
| GF32R230MRC | 230 (161~299) | | | | √ | | |
| GF32R300MRC | 300 (210~390) | | | | √ | | |
| GF32R350MRC | 350 (245~455) | | | | √ | | |
| GF32R400MRC | 400 (280~520) | | | | √ | | |
| GF32R420MRC | 420 (294~546) | | | | √ | | |
| GF32R470MRC | 470 (329~611) | | | | √ | | |
| GF32R500MRC | 500 (350~650) | | | | √ | | |
| GF32R600MRC | 600 (420~780) | | | | √ | | |
| | | | | | | | |

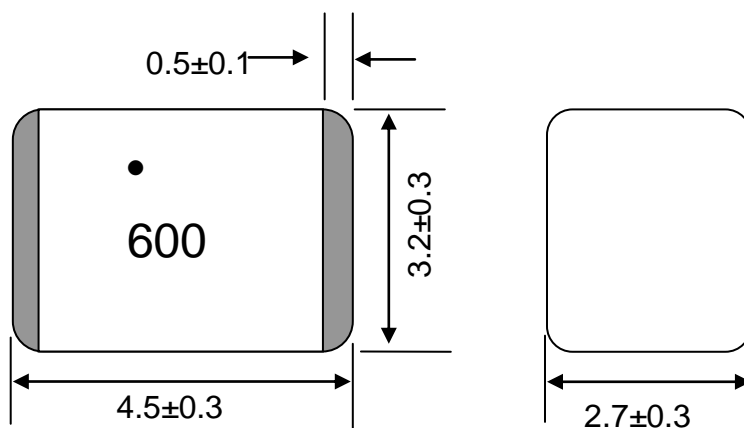
Note1: UL 497B File No : E245070

Note2: Insulation resistance test condition:

| DC Spark-over Voltage | DC Measuring Voltage |
|-----------------------|----------------------|
| 70-90V | 50V |
| 120-600V | 100V |

Dimension

(Unit: mm)

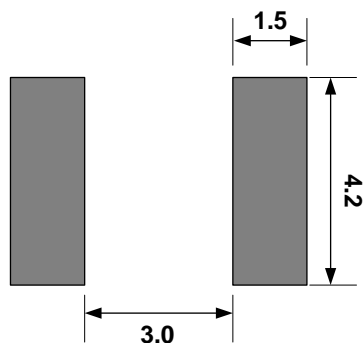


Gas Discharge Tube: GF3 Series

SMD L4.5 x W3.2 x H2.7 mm Type

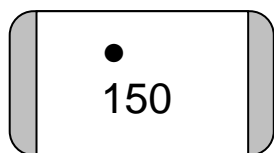


Recommended Pad Size



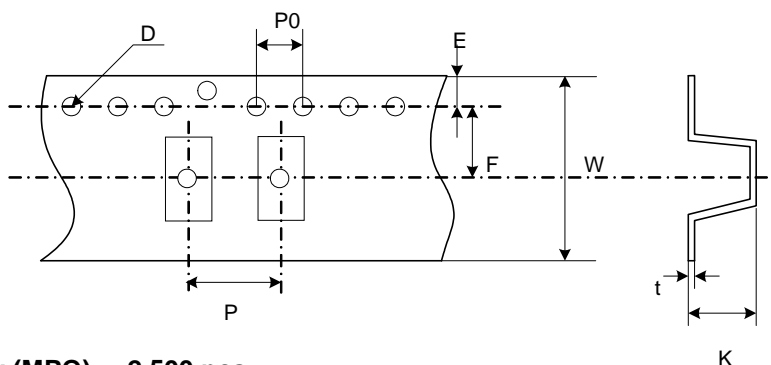
Marking

Example: GF32R150MRC



Packaging

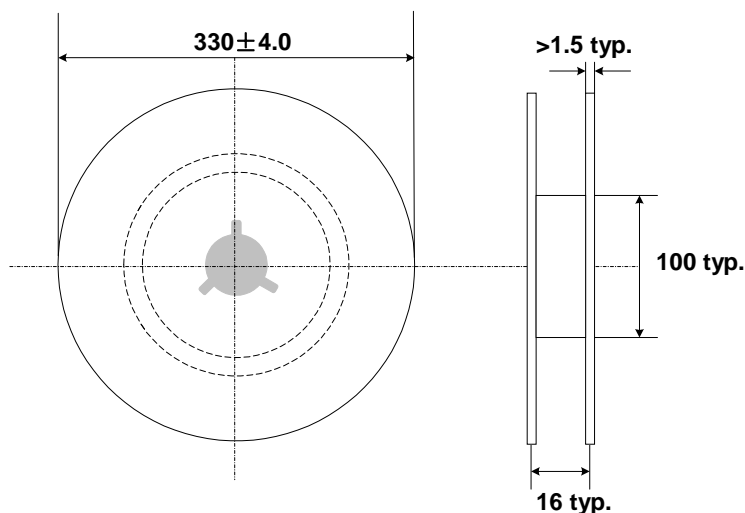
Taping



Quantity (MPQ): 2,500 pcs

Unit: mm

| ITEM | P | P0 | W | F | E | D | K | t |
|-----------|------|------|------|------|------|-------|------|-------|
| Spec. | 8.0 | 4.0 | 12.0 | 5.45 | 1.75 | Φ1.55 | 3.1 | 0.4 |
| Tolerance | ±0.1 | ±0.1 | ±0.3 | ±0.1 | ±0.1 | ±0.05 | ±0.1 | ±0.05 |



Gas Discharge Tube: GF3 Series

SMD L4.5 x W3.2 x H2.7 mm Type



■ Warehouse Storage Conditions of Products

- Storage Conditions:
 1. Storage Temperature: $-10^{\circ}\text{C}\sim+40^{\circ}\text{C}$
 2. Relative Humidity: $\leq 75\%RH$
 3. Keep away from corrosive atmosphere and sunlight.
- Period of Storage: 1 year